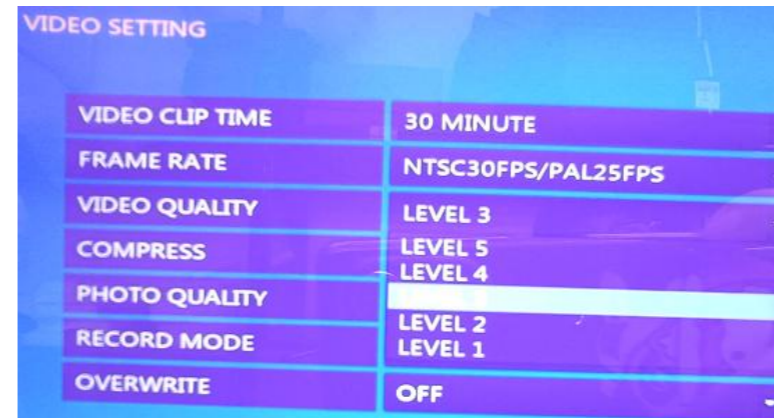
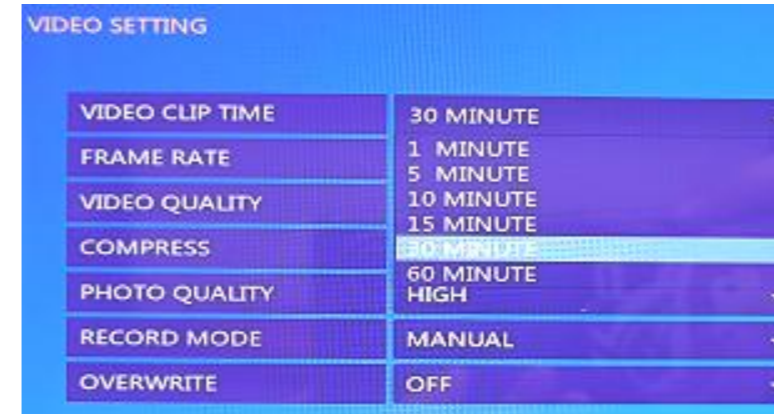


RECORD Setting



Video clip time: 1 MINUTE / 5 MINUTE / 10 MINUTE
15 MINUTE / 30 MINUTE / 60 MINUTE
Default value: 30 MINUTE

FRAME RATE: NTSC 30FPS / PAL 25FPS

Video Quality: It has 5 options. Usually we choose Level 3.
The level is bigger, the video resolution is higher

Compress: H265

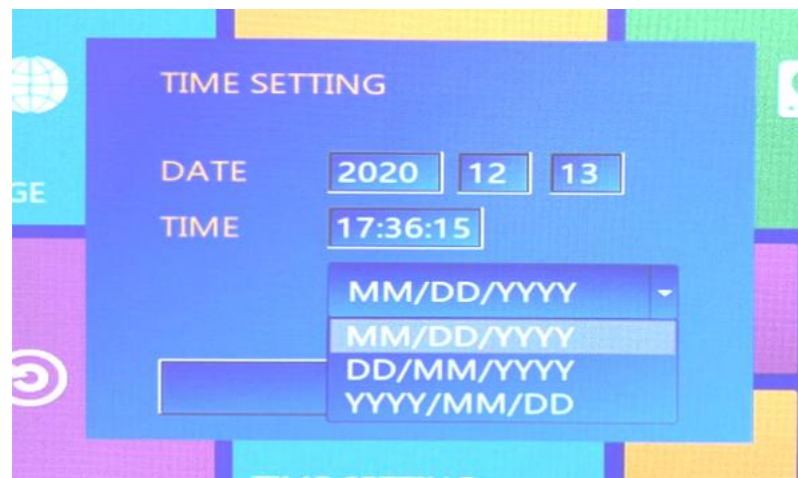
Photo Quality: High / Middle / Low

Default Value : High

Record Mode: Manual / Auto

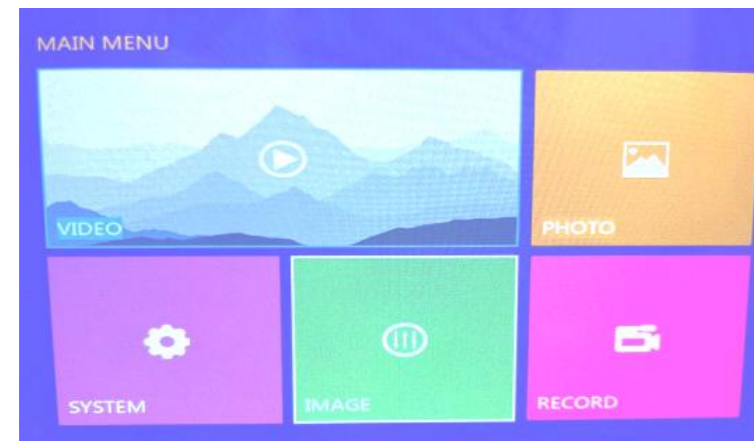
Default Value : Manual

Overwrite: OFF/ON



For date format, it has 3 options

IMAGE SETTING



Adjust the LCD screen brightness, Contrast

Default resolution: 1280x720_60

Usually we suggest the customers don't change these value

Specification

Monitor		
Screen size	8inch LCD IPS screen	
Display Ratio	16:9	
Resolution	1280x720	
Menu	Chinese English and others	
Sunshade function	Yes	
HD DVR		
Support playback file format	video	H.264 encode, MP4 format
	Audio	audio and video
	Picture	JPEG
Audio input	External Microphone	
Video input	AHD analog high-definition signal(support)	
Signal input	Video connector	
Video system	HD PAL、HD NTSC	
Video Output	Composite video signal output	
Power support		
External charge	DC12V (Input voltage AC 100V~240V, Output voltage DC:12V, Current 2000mA)	
Battery	12V 6800mA/H	
Complete system power	20W (Max)	
Battery charge time	4-5 hours	
Battery work time	6-6 hours	

Camera head	
Camera Diameter	Dia. Φ 20mm × 160mm
Lighting	9pcs high light LED
Camera Sensor	Magnesium light 9V139 (ASX340)
Operating temperature	-10°C~60°C
Camera housing material	304#Stainless steel
Waterproof	IP68
Cable wheel	
Special gold point touch connector to camera	
Fiberglass rod push cable Ø6.0mm	
Cable length: <input type="text" value="0"/> meters	
Other function	
Meter counter	Feet and Meter switch. Display on the screen
Built in 512hz transmitter	Optional

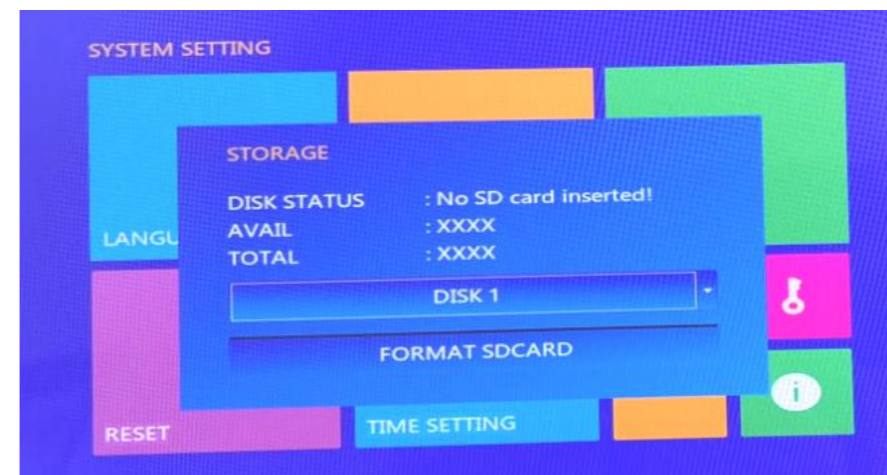
Attention

- 1) Please read the user manual carefully
- 2) Using the original charger to charge the battery to support the device to work.
- 3) Damage to the fiber optic cable must be avoided when installing or removing the camera, as it could rub against edges such as the end of a pipe or shaft or drain inlet.
- 4.) The system must be cleaned after each use before the end of work.

1) **LANGUAGE:** Setting the menu language.

The box has 9 languages.(English,Chinese,French, Espanol German,Polish,Korea,Russian and Italian.

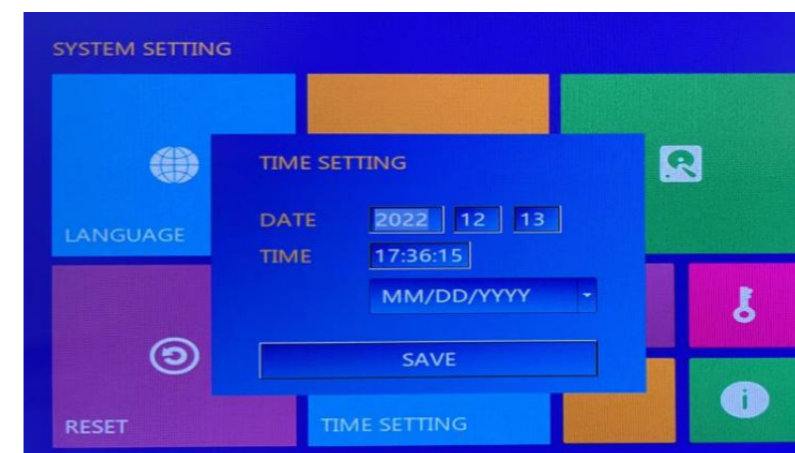
2)**DISK:** Format the USB flash driver.



The default value is “DISK1” .

3) **RESET:** Restore the factory default Settings

4) **TIME SETTING:** Setting the time,date



Press UP/Down/Left/Right arrows to set the date and time.
Press“Save ”to save the setting

Press the "↑" and "↓" arrows to select files

Press the "MF-" and "MF+" arrows to turn pages,

Press "OK" button to play the file,

"STOP" button to delete the file.

2. **PHOTO**: Playback the picture file

3. **SYSTEM**: Setting language, date, time ...

4. **IMAGE**: Image setting, such as CVBS out, HDMI

Resolution, brightness, chroma, contrast, noise reduction

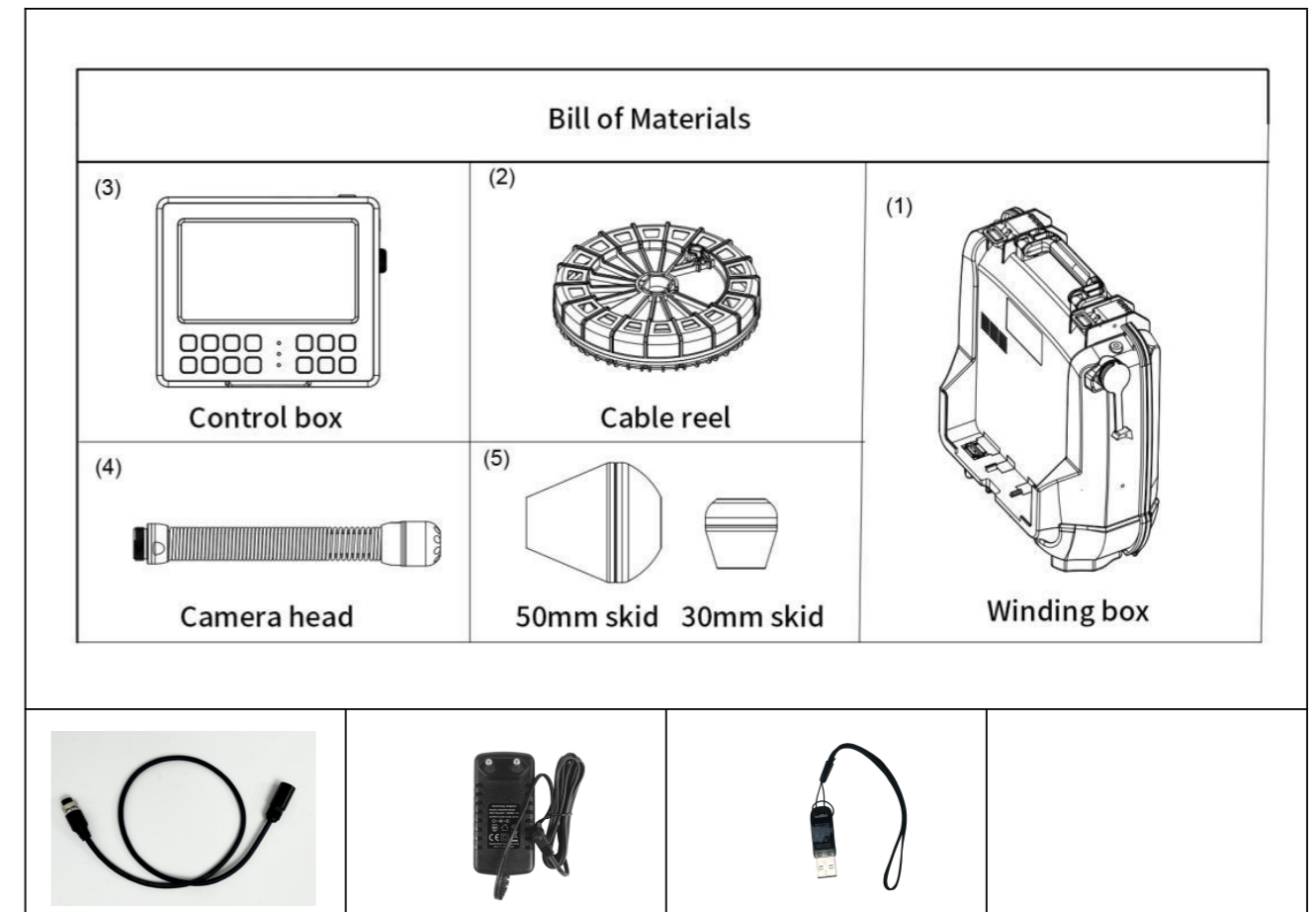
5. **RECORD**: Video setting, such as video clip time, frame rate, compress, photo quality, record model, overwrite.

System Setting

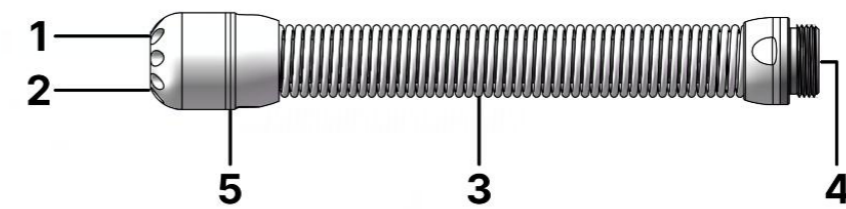


Know Your Device

What does it include?



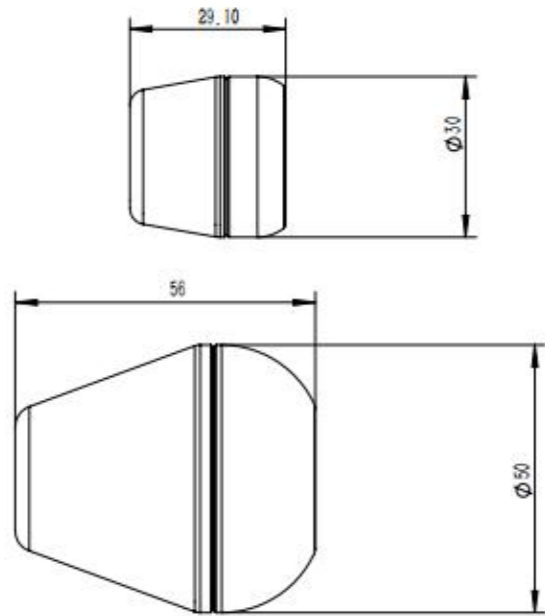
Camera head



1. White light (9 pieces)
2. Lens
3. Spring joint
4. Connector
5. Stainless steel camera housing

Camera skids

2pcs/set (Diameter 30mm and Diameter 50mm)



How to install camera skid

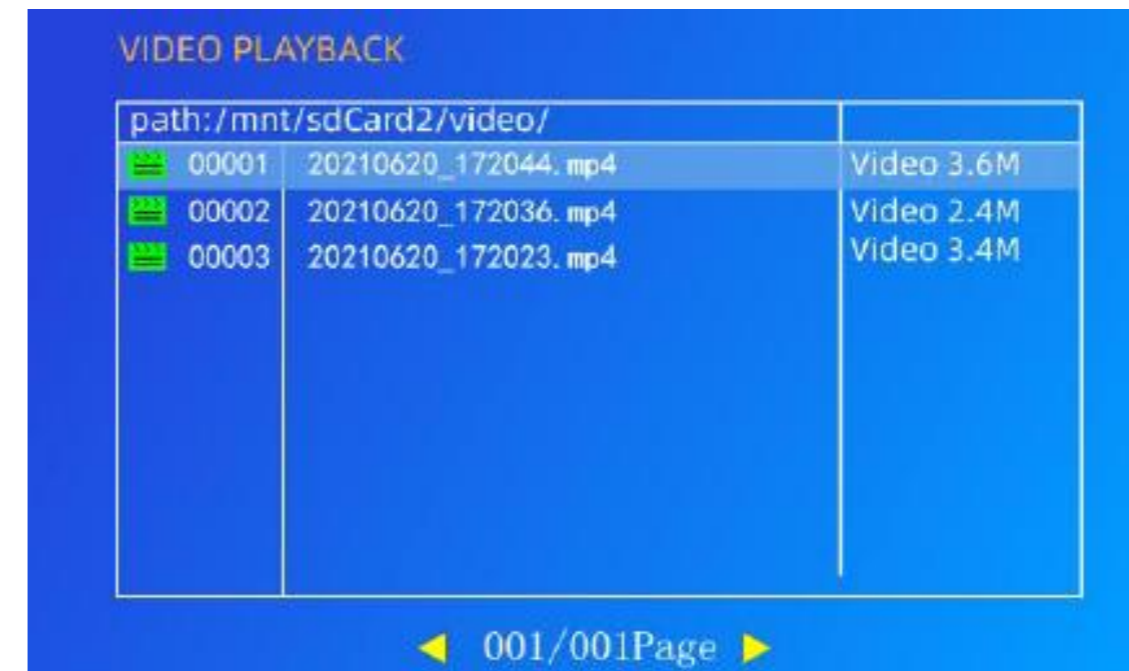
Step1: 	Step2:
Step3: 	Step4:


DVR menu instructions

Press menu button to enter the main menu



1. Video: Playback the video file



2) .press “  ‘ button to choose “OK”, start recording video.

4) .Press “  ” button to stop recording.

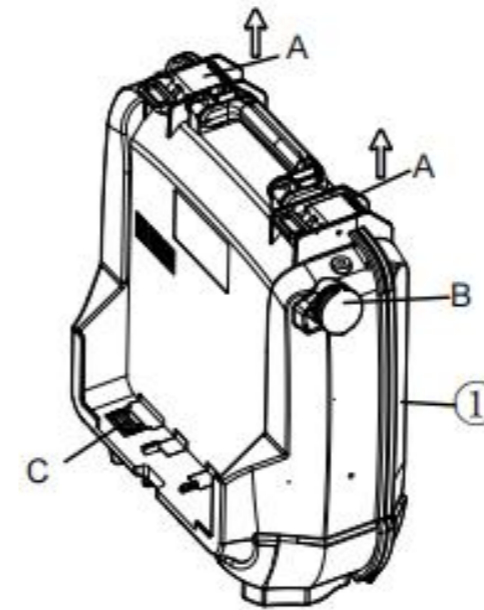
3.Record the audio: Insert the external microphone to MIC port. Press down the MIC button. When it is recording the video, you can record the audio at the same time.

4.Take pictures: control box “  to take picture (No matter whether it is recording or not)

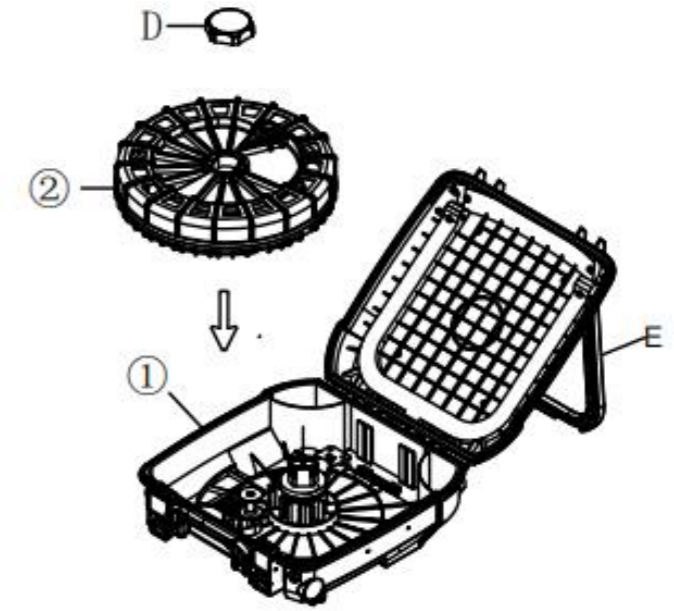
5.Press MENU button to enter the main menu ,and choose “VIDEO” to play the video.

6.Press MENU button to enter the main menu ,and choose “PICTURE” to scan the pictures.

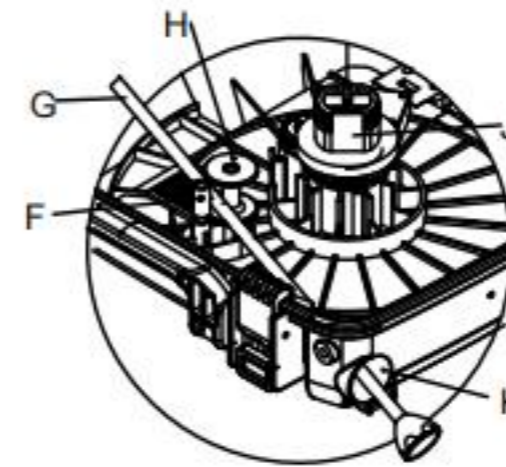
How to replace a new cable reel



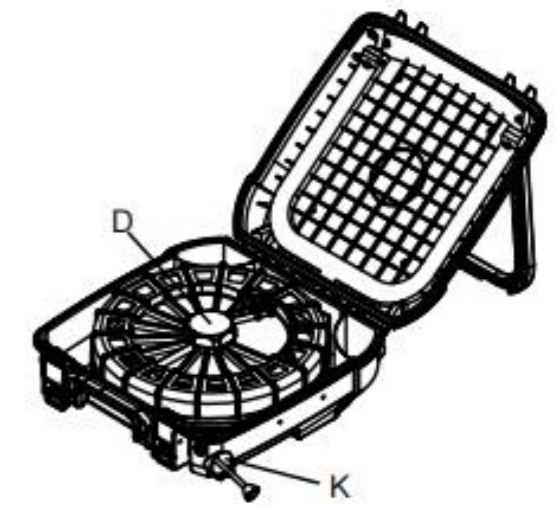
(1-1)



(1-2)

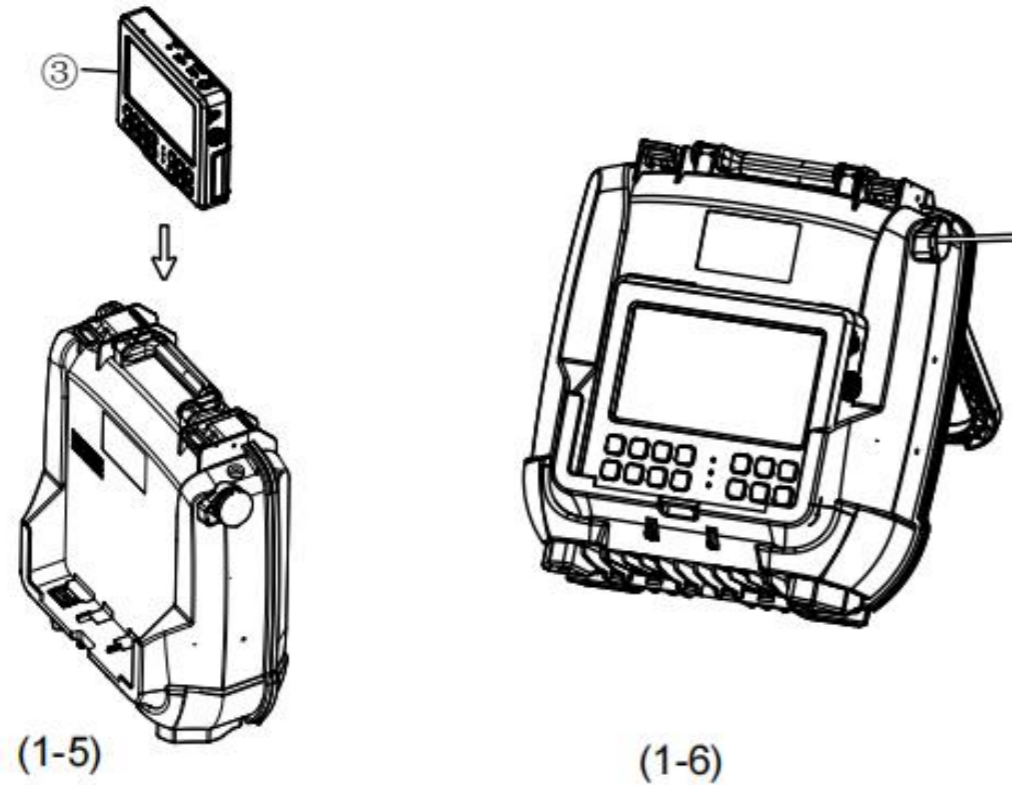


(1-3)



(1-4)

How to install control box to cable reel



How to remove the control box from the cable reel



Lay the device on a flat place

(1-7)

6



Squeeze these two buttons


(1-8)

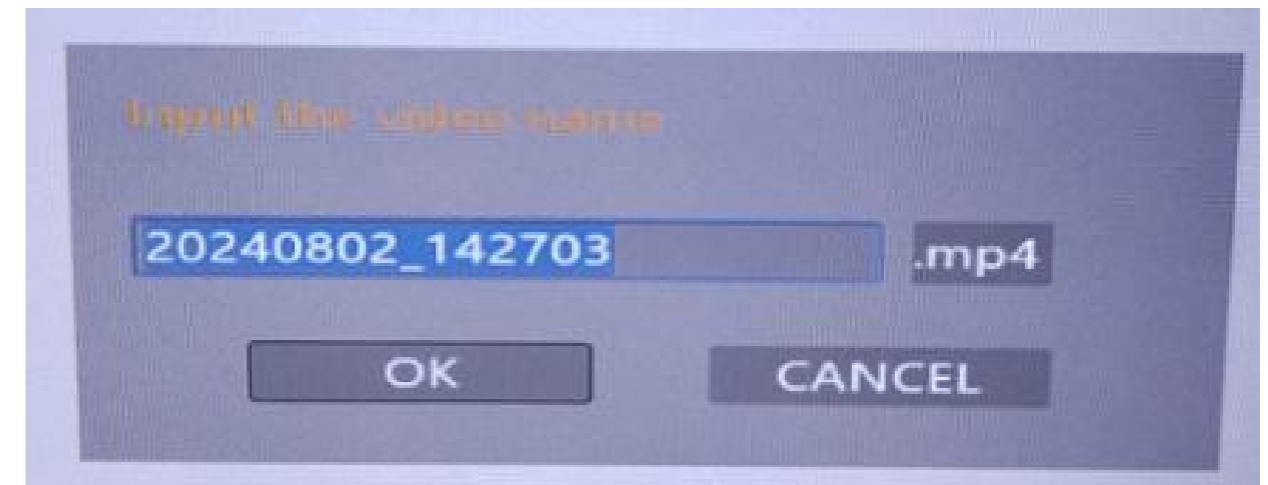
DVR video recording & photography function instructions




Operating instruction

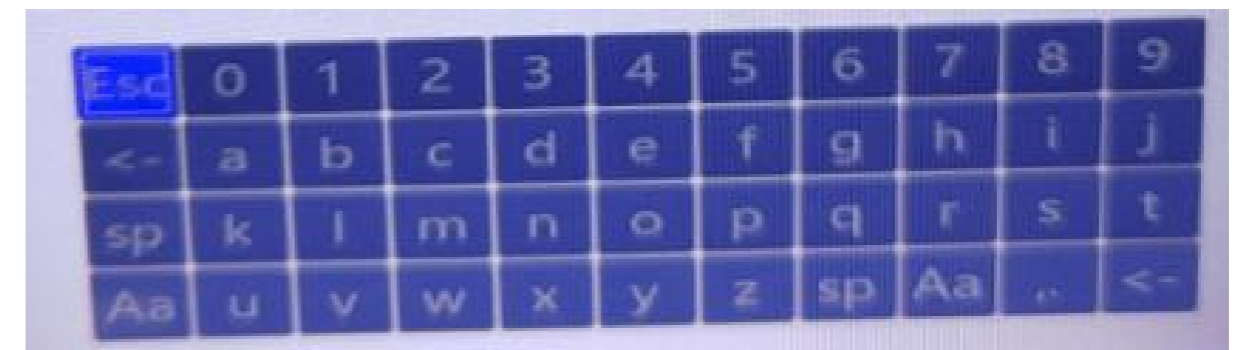
1. Insert the USB disk to USB port.

2. Record the video:

1) Press “” button to start, the file name can be modified when it appears on the screen



3) Press “” button, the keyboard appears on the screen. We can type English characters and change the file name. Press “” button to choose the characters. Choose “ESC”, press “” button to exit the keyboard function.

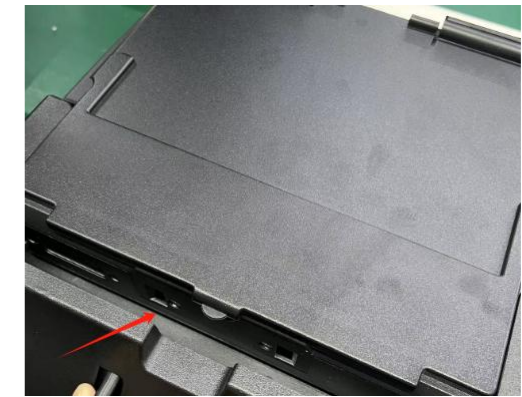


No	Name	Function	How to use
1	POWER	On/Off	Press the button for 3 seconds to turn on /off the control box
2	KEYBOARD	Connect wireless /wired keyboard	Insert 2.4G wireless keyboard adaptor
3	USB	Connect USB disk	Insert external USB disk to record and save the video& picture files. Please don't remove the USB flash disk when it is recording.
4	AUDIO	Earphone/Microphone	Insert the 3.5mm earphone
5	Meter counter buttons	RST: Reset to zero F/M:Swith feet/meter	
6	CONTROL PANEL	DVR MENU	Details reference picture(2-1)
7	MONITOR	Display the image	8inch HD screen ,1280x720 resolution
8	DC IN	Charge for the battery	charge adaptor 12V 2A
9	LED DIMMER	Adjust the camera LED brightness	Adjust 20mm、23mm camera LED brightness
10	BATTERY	power supply	Details reference picture(2-2)



Push the control box upwards

(1-9)

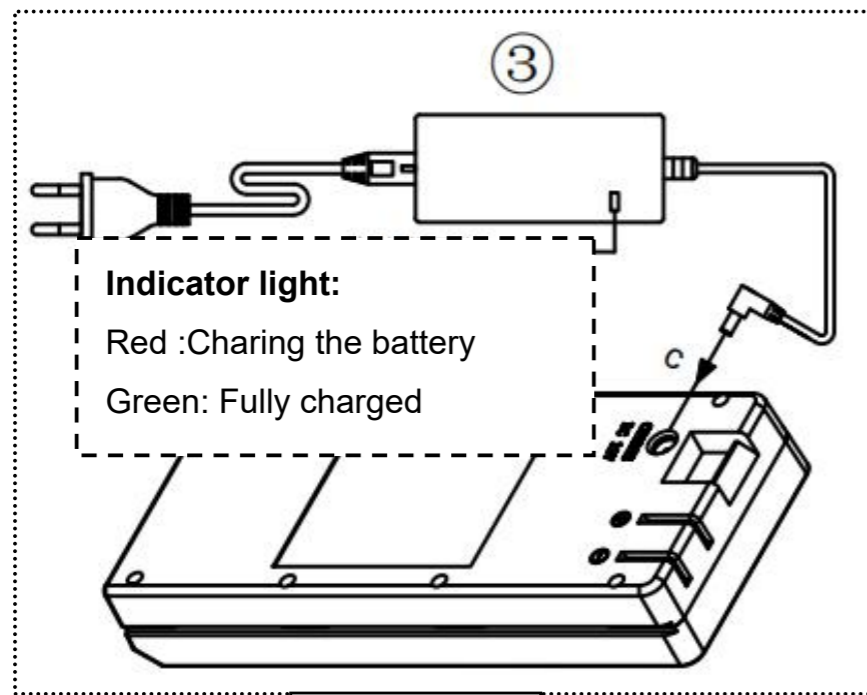
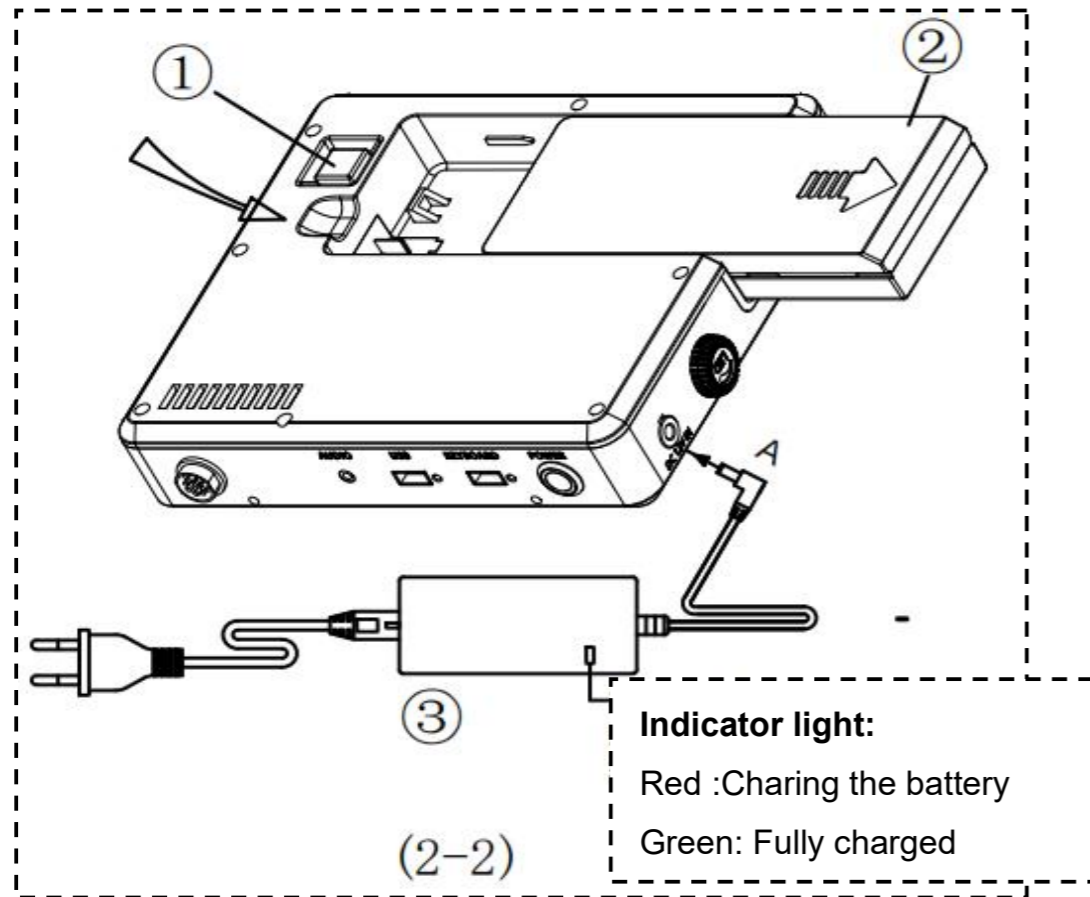


The control box is separately from the reel

(1-10)

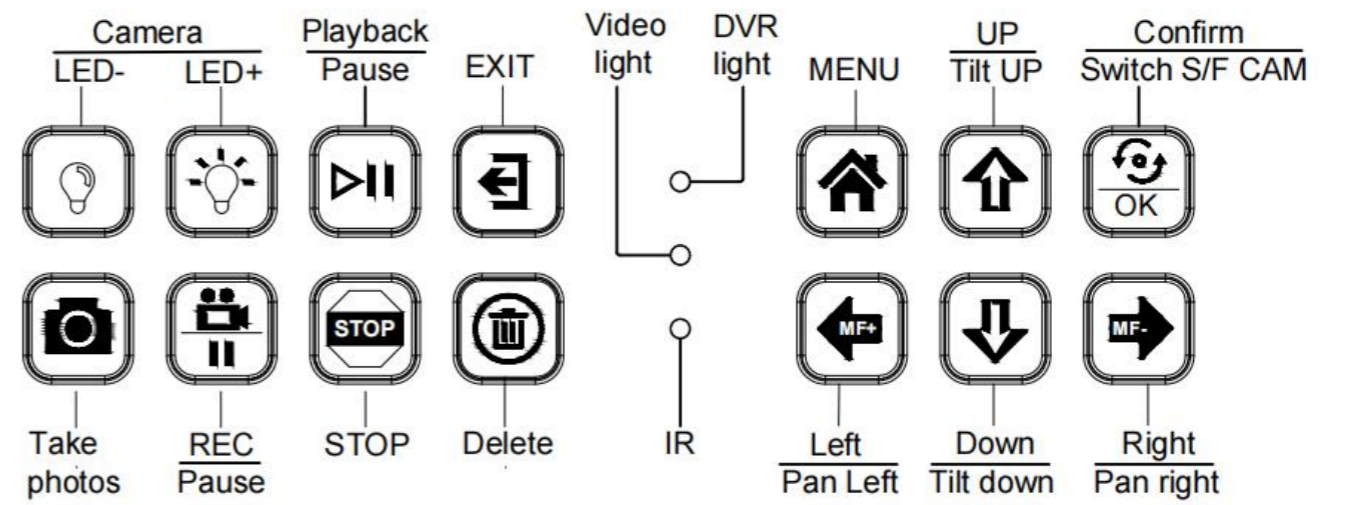
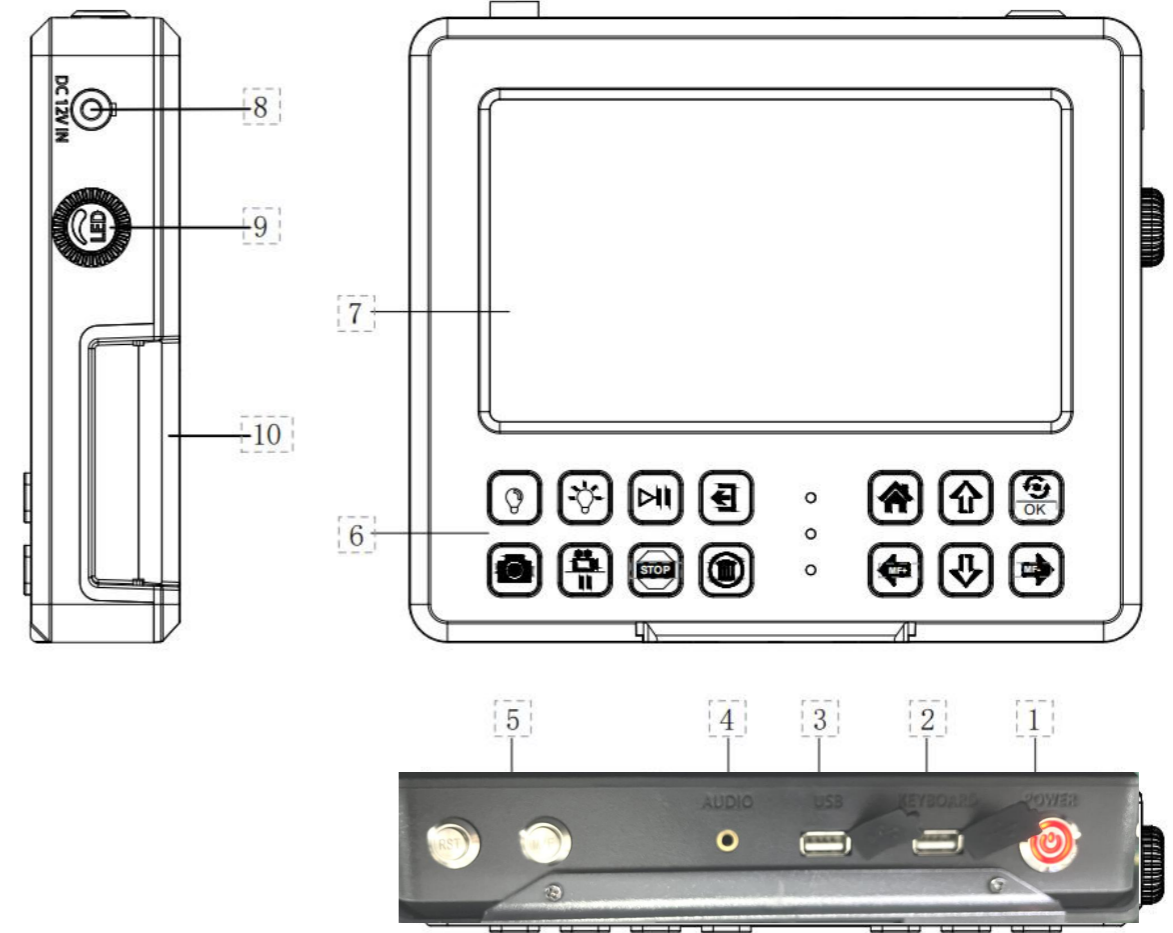
How to charge the battery

- 1) Insert 12V/2A charge adaptor to charge port "A"
- 2) Charge adaptor indicator light is red, the battery is charging
- 3) Charge adaptor indicator light is green, the battery is charged full
- 4) The battery can be disassembled and charged separately
(Details reference picture(2-3))



(2-3)

DVR Control Unit



(2-1)