

ETV CAMERAS

Portable video inspection system.

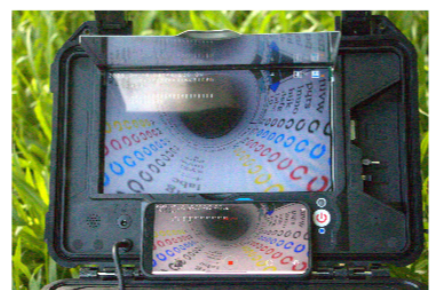
Professional. Efficient. Reliable.



ETV CAMERAS TECH CO., LTD is a professional manufacturer of video inspection cameras based in Shenzhen, China. We specialize in the design, development, and production of reliable and innovative inspection camera systems for sewer, plumbing, pipeline, and industrial applications.



We support our customers and their businesses with durable and cost-effective equipment!



NEW & Upgraded 1080P Full HD Pipe Camera-3699F/FB



- Removable Battery
- Mute Unmute
- U-Disk
- Optional Wheels
- Speaker
- 20 – 50m Cable
- Shortcut Keys
- 20x Zoom
- 1080P Full HD
- Optional Backpack



Reliable & Durable

This versatile pipe inspection camera is designed for sewer pipes, air ducts, underground cables, and more. Featuring a 23mm /14mm /18mm / 38mm camera head, 20 – 50m fiberglass push rod, and a 10.1" or 13.3" LCD with SD/U disk recording, it inspects DN 30 – 150mm pipes and easily navigates 90° bends in 50mm pipes. Key features include a removable battery, multifunction keyboard, video recording with mute/unmute option, 1080P Full HD clarity, 20x zoom, built-in speaker, and an optional backpack for easy portability.



Compact, Rugged, and Waterproof Design

Lightweight, Easy to carry

Features



Easily detachable for quick replacement, providing longer operating time and greater convenience.

Choose to record with or without sound — ideal for avoiding background noise or adding voice notes during inspection.



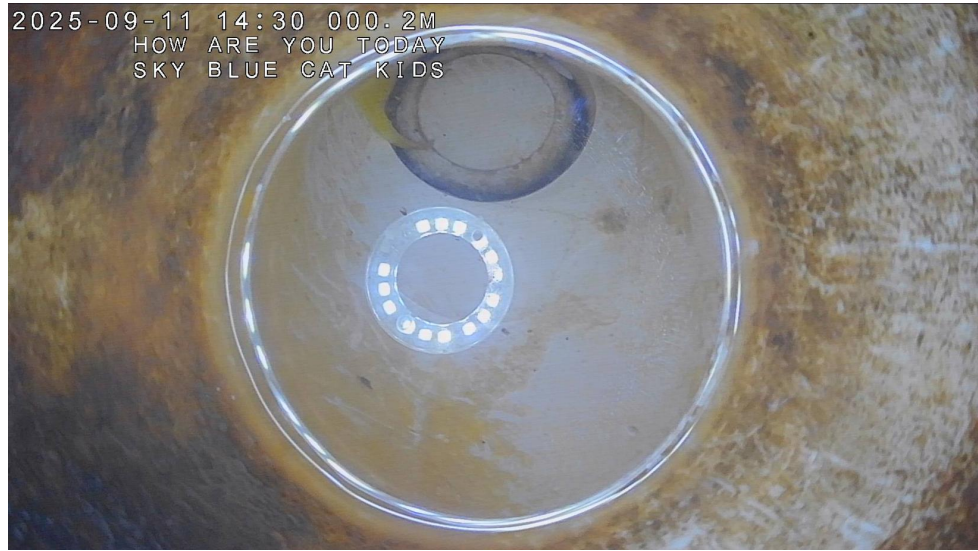
Supports SD Card and U-disk for Convenient Recording



Play Audio and Adjust Volume While Recording or Reviewing Videos.



20x Zoom for clear inspection, both close-up and wide view.



1080P Full HD –
Clearer, more detailed images

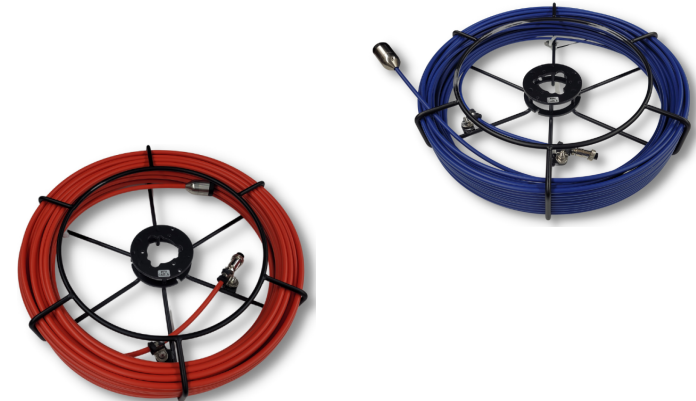
Optional Features:
Adjustable backpack straps
Telescopic pull handle with wheels



Optional Backpack –
Adjustable, durable
straps for rooftop use



All functions accessible
via keyboard, offering
notebook-like convenience.



5.2mm (blue)
or 6.8mm (red) cable
, 20 – 50m length

3899F

AHD Monitor

- Pixel :1280X720
- Power Supply: DC 12V
- 13.1 or 10.1" LCD Monitor

Reliable & Durable

Control Box Panel

- DVR Control
- LED Indicator
- Adapter Input
- Text enter



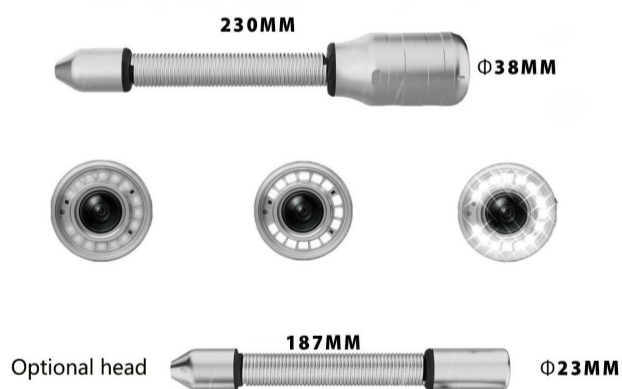
Battery Supply

- Removable Battery Pack
- Type: Li-ion 18650
- Voltage: 7.4V
- Energy: 66.6Wh
- Capacity: 9000mAh
- Charging time: approx. 10 hours



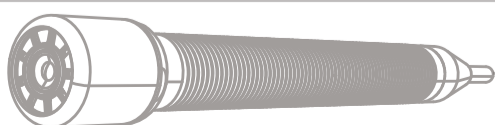
Camera Head

- Camera head: $\Phi 38\text{mm}$ /23mm
- Pixel : 1920(H)x1080(V)
- Self -leveling
- Built-in 512hz sonde



Pushrod Cable Reel

- Material : Fiberglass Cable
- Cable Diameter: $\Phi 6.8\text{ mm}$
- Meter Counter: Digital Footage
- Reel:Stainless Steel Wheel
- Cable Length: 40/50/60M Length



3399FB Pro

AHD Monitor

- Pixel :1280X720
- Power Supply: DC 12V
- 13.1 or 10.1" LCD Monitor

Reliable & Durable

Control Box Panel

- DVR Control
- LED Indicator
- Adapter Input
- Text enter



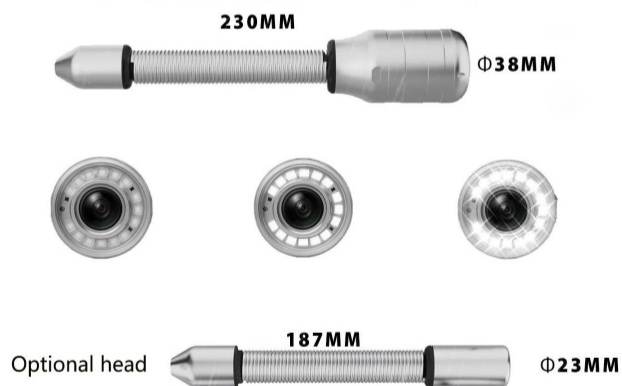
Battery Supply

- Removable Battery Pack
- Type: Li-ion 18650
- Voltage: 7.4V
- Energy: 66.6Wh
- Capacity: 9000mAh
- Charging time: approx. 10 hours



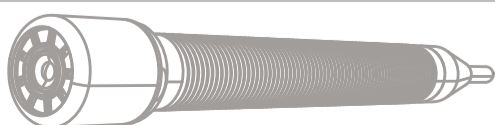
Camera Head

- Camera head: $\Phi 38\text{mm}$ /23mm
- Pixel : 1920(H)x1080(V)
- Self -leveling
- Built-in 512hz sonde



Pushrod Cable Reel

- Material : Fiberglass Cable
- Cable Diameter: $\Phi 6.8\text{ mm}$
- Meter Counter: Digital Footage
- Reel:Stainless Steel Wheel
- Cable Length: 40/50/60M Length



4488FHPT

AHD Monitor

- Pixel :1280X720
- Power Supply: DC 12V
- 13" LCD Monitor



Reliable & Durable

Control Box Panel

- 360° Rotating Camera Button
- DVR Control
- LED Indicator
- Adapter Input
- Text enter



ABS Suit Case

- Built-in DVR With USB Port
- Case Size:43×33×14cm



Rotating Camera

- Head: 33 x 72mm
- Pan 360°, Tilt 180°
- 4pcs Highlight White LEDs
- View range 120°



Optional Camera Head

- Camera head:Φ50 x154mm
- Camera head:Φ23mm
- Pixel : 1920(H)x1080(V)
- Built-in 512hz sonde



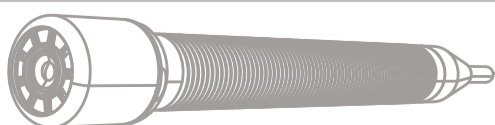
Pushrod Cable Reel

- Material : Fiberglass Cable
- Cable Diameter: Φ7mm
- Black stiffer cable (Option)
- Meter Counter: Digital Footage
- Reel:Stainless Steel Wheel
- Cable Length: 20/30/40M Length
- Wheel Diameter: 35 x 9cm



Battery+ Skids

- 8800mAh rechargeable Li-ion Battery
- Dia.65mm
- Dia.105mm



4688FHPT

AHD Monitor

- Pixel :1280X720
- Power Supply: DC 12V
- 13" LCD Monitor



Reliable & Durable

Control Box Panel

- 360° Rotating Camera Button
- DVR Control
- LED Indicator
- Adapter Input
- Text enter



ABS Suit Case

- Built-in DVR With USB Port
- Case Size:43×33×14cm



Rotating Camera

- Head: 50mm x 154mm
- Pan 360°, Tilt 180°
- 4pcs Highlight White LEDs
- View range 120°



Optional Feature

- Built-in 512hz sonde
- 33mm Pan Tily head

Pushrod Cable Reel

- Material : Fiberglass Cable
- Cable Diameter: Φ9mm
- Meter Counter:
Digital Footage/Meter Counter
- Reel:Stainless Steel Wheel
- Cable Length: 60-150m Length
- Wheel Diameter: 70 x 28 x 84cm



Battery+ Skids

- 8800mAh rechargeable Li-ion Battery
- Dia.145mm
- Dia.185mm
- Dia.200 to 450mm (Option)



3299FB

HD Monitor

- Pixel :1024×600
- Power Supply: DC 12V
- 10.1" LCD Monitor



Reliable & Durable

Wireless Keyboard

- It comes with a Wireless Keyboard and Receiver



Control box

- Built-in DVR
- SD Card (Max.64GB)
- Case Size:38×26×15 cm



HD Camera Head

- Head:Φ38
- Self-leveling
- 512Hz sonde (Option)
- 12cs Highlight White LEDS



Camera Protector

- Diameter:Φ78mm
- Diameter:Φ 134mm



Cable Wheel

- Material : Fiberglass Cable
- Cable Length: 60/80/100/120M
- Cable Diameter: Φ9mm
- Meter counter



Parts for a kit



Battery Supply

- Battery Capacity: 7.2V 5200mAh
- Power Output: 6-12V DC, USB 5V



3399FB

HD Monitor

- Pixel :1024×600
- Power Supply: DC 12V
- 10.1" LCD Monitor



Reliable & Durable

Wireless Keyboard

- It comes with a Wireless Keyboard and Receiver



Control box

- Built-in DVR
- SD Card (Max.64GB)
- Case Size:38×26×15 cm



HD Camera Head

- Head:Φ38/Φ23mm
- Self-leveling
- 512Hz sonde (Option)
- 12cs Highlight White LEDs



Camera Protector

- Diameter:Φ78mm
- Diameter:Φ 134mm



Cable Wheel

- Material : Fiberglass Cable
- Cable Length: 40/50/60M
- Cable Diameter: Φ6.8mm
- Meter counter



Parts for a kit



Battery Supply

- Battery Capacity: 7.2V 5200mAh
- Power Output: 6-12V DC, USB 5V



8588FHPT

FULL HD

HD Monitor

- Pixel :1920×1080 (10.1" monitor)
- Power Supply: DC 12V
- 10.1" LCD Monitor



Control Box Panel

- 360° Rotating Camera Button
- DVR Control
- LED Indicator
- MIC on/off
- Adapter Input
- Power Switch
- Text enter



ABS Suit Case

- Built-in DVR With USB Port
- Case Size:32.7×22.7×15.0 cm
- Carton Size:35.8×28.4×16.8cm
- Each Set In ABS Plastic Case



HD Camera C40H

- Camera Head:Φ40mm
- 28mm Pan Tilt head (Option)
- 56mm Pan Tilt head (Option)
- Self Leveling Function
- 512hz sonde Option)
- Pixel : 1920(H)x1080(V)

Camera Protector

- External dimensions: 72*72*73(mm)
- Inner diameter:Φ40mm



Pushrod Cable Reel

- Material : Fiberglass Cable
- Cable Diameter: Φ9mm
- Meter Counter: Photoelectric Counter
- Reel:Stainless Steel Wheel
- Cable Length: 60-120M Length
- Wheel Diameter:693×428x1027mm



Battery + Charger

- Adapter:
AC: 110V~240V
DC: 12.9 V 3A
- Polymer lithium battery:12V 8000MAH
- Battery Level Display-charge Indicate



Flexible Shaft Machine – 6 – 12mm Cable, 5 – 20m Length, with Rack

Reliable & Durable

The Flexible Shaft Machine is a lightweight, high-speed drain cleaning and descaling system, designed for professional use in pipe maintenance and renovation. Powered by any standard cordless drill, it allows efficient milling, unblocking, and internal pipe cleaning with flexible shafts ranging from 6mm to 12mm in diameter and lengths of 5m to 20m.

Equipped with a durable nylon-sheathed flexible shaft, this system eliminates the need for lubrication and ensures smooth rotation inside the pipe.

The ETV system effectively removes lime, rust, roots, and other hard deposits inside pipes. With a wide range of chain knockers, brushes, and cutting heads available, distributors can easily customize the setup to match specific job requirements.





The toughest tools down the line



ETVCameras CO.,LTD

1F, Yifutong Industrial Zone, Huangmabu Community, Lezhujiao Village,
Hangcheng Street, Bao'an District, Shenzhen, China

For more product information, please visit our website:

WWW.EtvCameras.com

Tel: +86 13267135215

sales@etvcameras.com

